



HEPWORTH MARINE
INTERNATIONAL

TYPE C350 Clear View Screen

FOR PERFECT CONTINUOUS VISIBILITY

- High reliability - no maintenance, sealed for life bearings, thermal overload fitted, IP33 motor protection
- High rotation speeds, powerful de-icing heater
- Smooth running motor and direct drive, EMC silent, high quality bearings
- High quality seals, gas and leak tested
- Stainless steel and marine grade aluminium parts, toughened glass, unique glass decoupling to avoid breakages
- Low cost installation, ISO compliant tolerances
- Ideal for all types of commercial vessel and for specialised shore-based applications

ISO 9001
BUREAU VERITAS
Certification



... WIPER SYSTEMS FOR ALL SIZES OF VESSEL

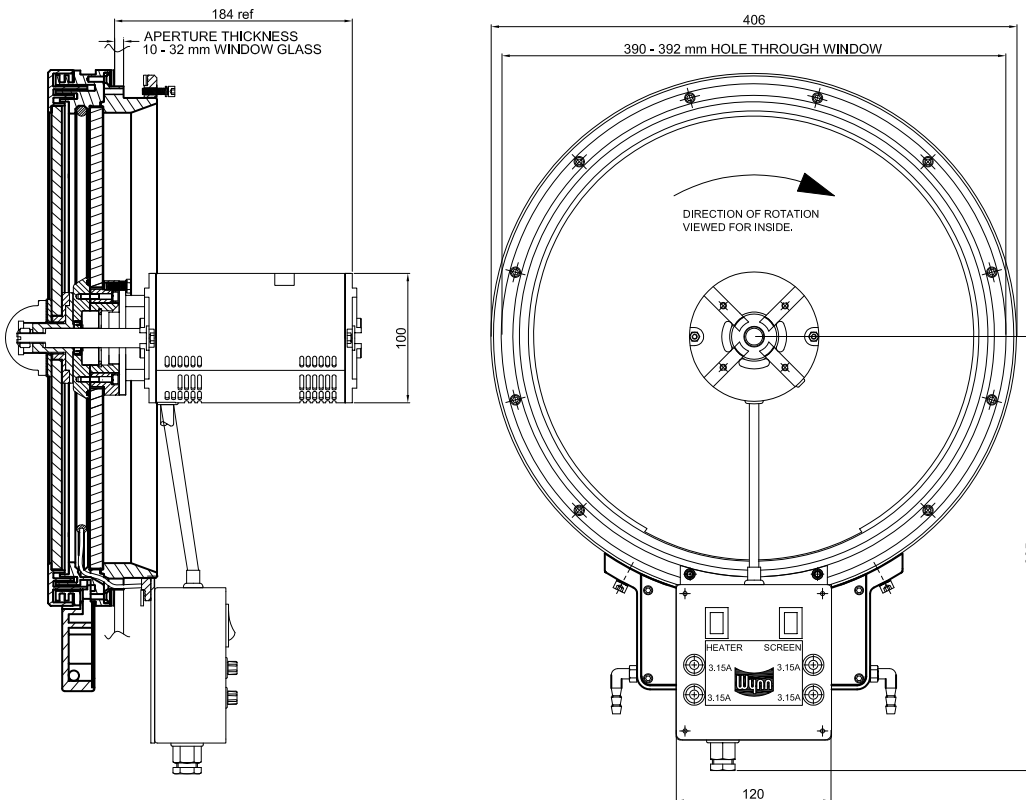




HEPworth MARINE
INTERNATIONAL

SPECIFICATIONS

ISO Specification	Fully compliant with ISO 3904-C-350-AL-vf specification
Glass disc	350mm diameter, toughened safety glass to ISO 3254 8mm thick
Main case	Marine grade aluminium alloys and stainless steel - corrosion resistant
Finish	Non reflective matt black powder coat paint
Driving motor	AC induction motors available in 115, 230v AC. Single phase supplies - to IP33
High spin speed	Operating speed 1600rpm - the C350 gives an unobscured vision at sea
Motor power	120 watt motor
Heater power	250 watt heater for de-icing purposes
Leak resistant	High rotating and effective labyrinth seals - ensure no internal water leakage
Compass safe distance	0.2 metres away from steering compass
Local controller	Control switching for motor and heater local and remote options to screen
Quiet operation	Direct drive means no noise from brushes, gearbox or drive belts
Mounting	In 10 to 32mm thick windows - to be specified at time of ordering. Cut-out hole size 390 to 392mm. The minimum size panel into which the screen can be mounted is 510 x 550mm
Weight & dimensions	Net: 15Kg Gross: 18Kg Dimensions : 520 x 480 x 360mm



*Measurements are for illustrative purposes only



Type C350 Clear View Screen

FOR PERFECT
CONTINUOUS VISIBILITY

**North West Marine
Distributors Ltd**

26940 26th Avenue
Aldergrove, BC V4W 4A4,
Canada

Phone: (604) 607-7901
Email: Info@northwestmarine.ca

www.northwestmarine.ca