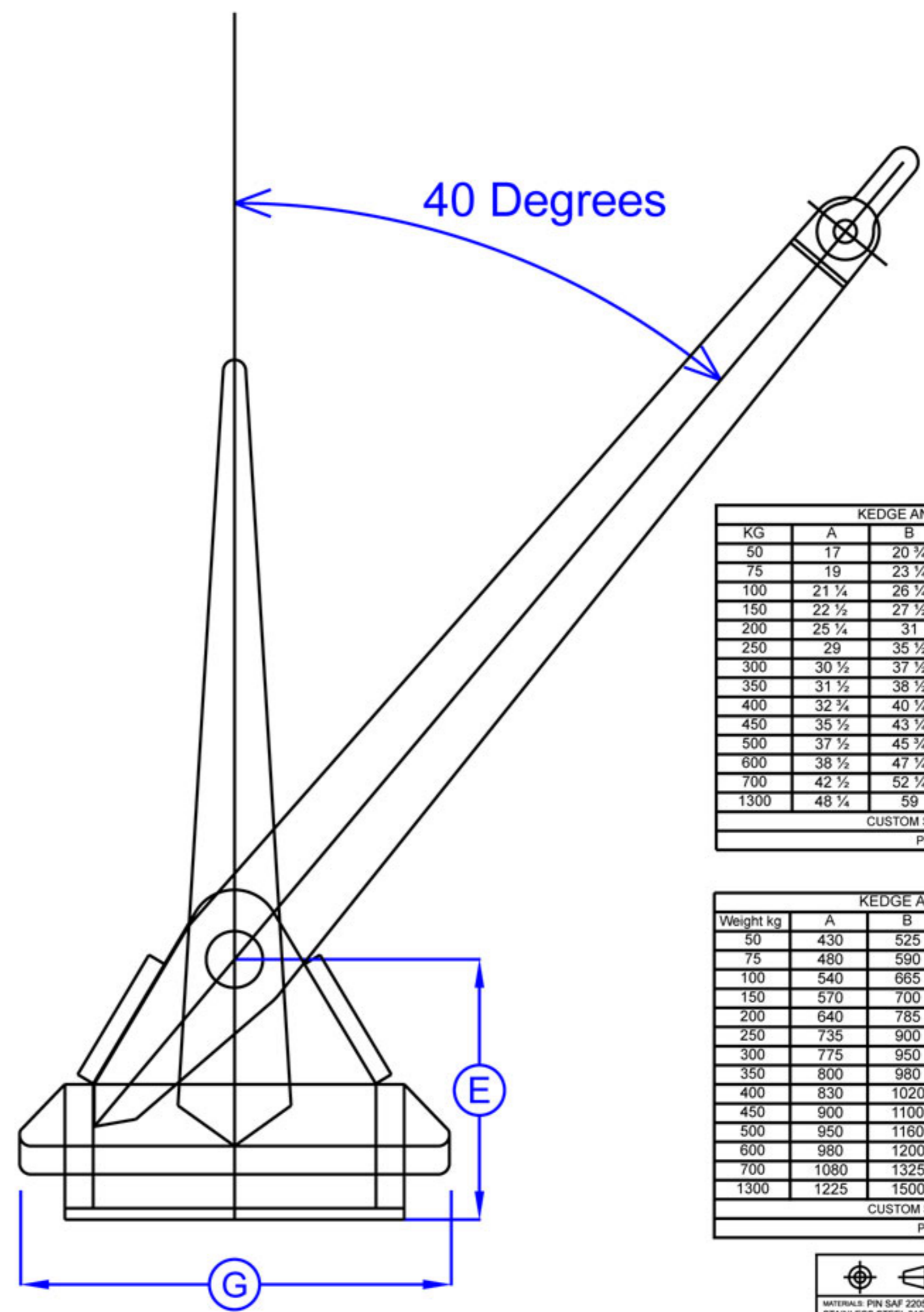
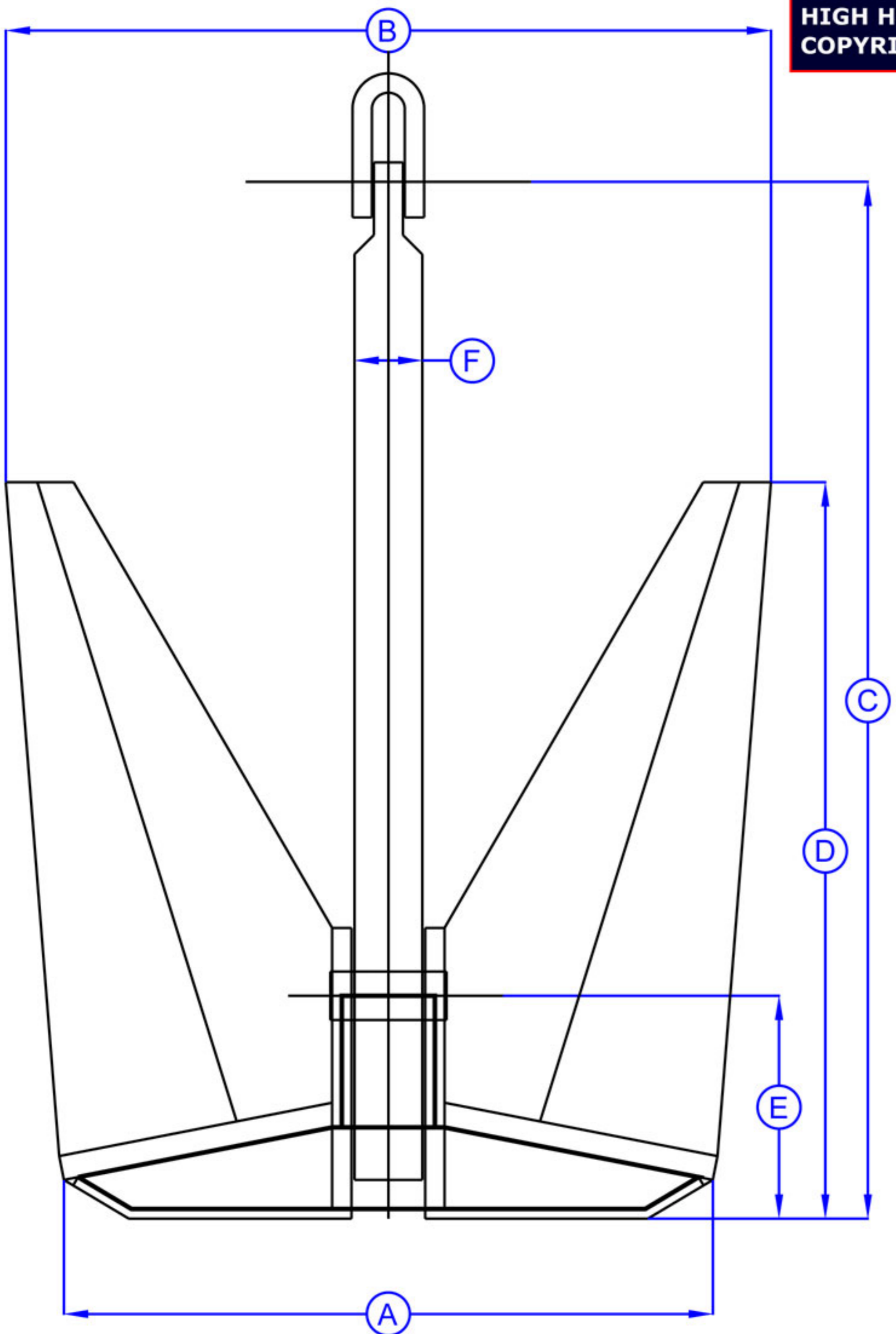


LLOYDS REGISTER OF SHIPPING APPROVED  
 CERTIFIED AS AN **HHP** ANCHOR  
 HIGH HOLDING POWER  
 COPYRIGHT 1981 - 2007

**IMPORTANT WARNING**  
 DRAWINGS NOT TO BE USED  
 FOR CONSTRUCTION PURPOSES  
 DIMENSIONS TO BE CONFIRMED  
 BY MANSON BEFORE ORDERING



KEDGE ANCHOR DIMENSIONS IMPERIAL (inches)

KG	A	B	C	D	E	F	G
50	17	20 1/4	28 1/4	20	6	2	10
75	19	23 1/4	32	22 1/2	6 3/4	2	11 1/4
100	21 1/4	26 1/4	35 3/4	25 1/2	7 1/4	2 1/4	12 1/2
150	22 1/2	27 1/2	37 3/4	26 3/4	8 1/4	2 1/4	13 1/2
200	25 1/4	31	41 3/4	30	9	2 1/2	15
250	29	35 1/2	48 1/2	34 1/4	10 1/2	3	17 1/4
300	30 1/2	37 1/2	51 1/4	36 1/4	11	3 1/4	18
350	31 1/2	38 1/2	52 1/4	37 1/2	11 1/2	3 1/4	19
400	32 3/4	40 1/4	55	39 1/4	11 3/4	3 1/4	19 3/4
450	35 1/2	43 1/4	59	41 1/2	12 1/2	3 1/2	21
500	37 1/2	45 3/4	62 1/2	44 1/2	13 1/2	3 3/4	22
600	38 1/2	47 1/4	64 1/2	45 3/4	13 3/4	4	22 1/4
700	42 1/2	52 1/4	71 1/4	50 1/2	15 1/4	4 1/4	25 1/2
1300	48 1/4	59	80 3/4	57 1/4	17 1/4	5	28 1/2

CUSTOM SIZING AVAILABLE UP TO 4500kg (10,000lbs)  
 PLEASE CONTACT FOR DIMENSIONS

KEDGE ANCHOR DIMENSIONS METRIC (mm)

Weight kg	A	B	C	D	E	F	G
50	430	525	720	510	155	10	255
75	480	590	810	570	170	50	285
100	540	665	910	645	195	55	320
150	570	700	960	680	210	60	340
200	640	785	1060	760	230	65	380
250	735	900	1230	870	265	75	435
300	775	950	1300	920	280	80	460
350	800	980	1340	950	290	80	480
400	830	1020	1400	1000	300	85	500
450	900	1100	1500	1060	320	90	535
500	950	1160	1590	1130	340	95	560
600	980	1200	1640	1160	352	100	580
700	1080	1325	1810	1280	390	110	645
1300	1225	1500	2050	1455	440	125	725

CUSTOM SIZING AVAILABLE UP TO 4500kg (10,000lbs)  
 PLEASE CONTACT FOR DIMENSIONS

MATERIALS: PIN SAF 2205  
 STAINLESS STEEL 316L

DIMENSIONS in mm  
 tolerances +/- 0.3  
 unless otherwise stated

**MANSON ANCHORS**  
 KEDGE ANCHOR  
 FOR SIZING SEE TABLE

DATE: 04/07/04	DRAWN: Manson	SIZE: A4
SCALE: N.T.S.	FILE: ANCHORS-00	SHEET: 1 of 1
CHECKED:	DWG No. Man-Gen	REVISION: 0