

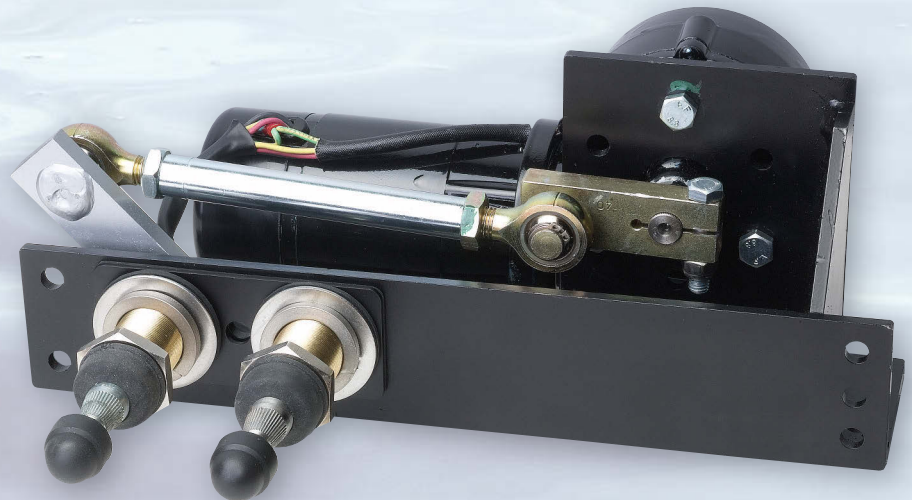
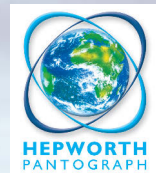


HEPWORTH MARINE
INTERNATIONAL

70Nm Extra Heavy Duty Window Wiper

HIGH VOLTAGE SYSTEMS IDEAL FOR AVERAGE TO HIGH SPEED VESSELS

- Pantograph and pendulum
- Arms with blades up to 59ins. (1500mm) available for average speed vessels
- Arms with blades up to 39ins. (1000mm) available for high speed vessels
- Fixed arc or variable arc models
- Ranges from 115 volt and 230 volt AC or DC
- Two speeds
- Self parking facility
- Insulated earth return
- Operated by a multi-speed/function control system



... WIPER SYSTEMS FOR ALL SIZES OF VESSEL





SPECIFICATIONS

Standard Details	2 Speed; Self Parking; Insulated Earth Return; 110v DC, 220v DC. Motors can be rectified from AC to DC
Angles of Arc - Fixed:	
Pantograph Units	25° to 90° (in 5° increments only)
Pendulum Units	25° to 115° (in 5° increments only)
Angles of Arc - Variable:	
Pantograph Units	40° to 90° (in 5° increments only)
Pendulum Units	40° to 90° (in 5° increments only)
Spindle Centres	Between Drive Liner & Idler = 60mm Pantograph Units only
Drive Liner	M26 - Brass Liner/16mm SS Spindle Pantograph & Pendulum Units
Idler Liner	M26 - Brass Liner/16mm SS Spindle Pantograph Units only
Liner Overall Length	Bulkhead Thickness + 55mm Liners over 125mm are available at extra cost
Bracket	C - Compact Bracket
Unit Weight	Allowing for the maximum arm and blade lengths; 8Kgs (17.6 lbs)

WIPER ARMS & BLADES

■ **Pantograph Arms**

P84	Heavy Duty
Lengths	24" to 60" (610mm to 1525mm) nom
Drive Head	16mm
Blade Clip	14mm & 20mm

■ **Pendulum Arms**

F80	Heavy Duty
Lengths	24" to 60" (610mm to 1525mm) nom
Drive Head	16mm
Blade Clip	14mm

F81	Heavy Duty
Lengths	24" to 60" (610mm to 1525mm) nom
Drive Head	12mm
Blade Clip	14mm

■ **Blades**

B160	Curved Blade, Stainless Steel
Lengths	12" to 28" (310mm to 710mm) nom

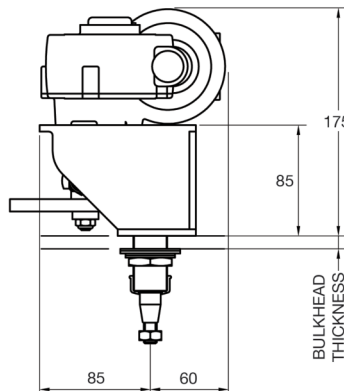
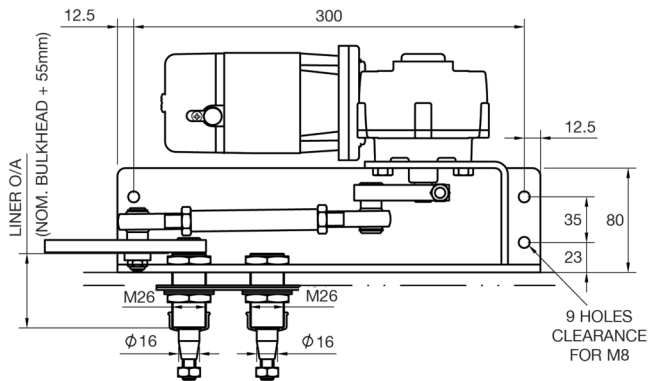
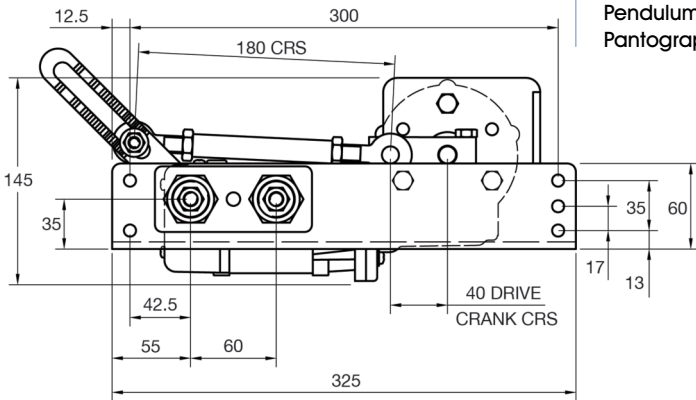
For use with arm types:

Pendulum	F80
Pantograph	P84

B160	Curved Blade, Stainless Steel
Lengths	32" (810mm), 36" (915mm), 39" (1000mm)

For use with arm types:

Pendulum	F81
Pantograph	P84



*Measurements are for illustrative purposes only

70Nm
Extra Heavy Duty
Window Wiper

HIGH VOLTAGE SYSTEMS
IDEAL FOR AVERAGE
TO HIGH SPEED VESSELS

Can be used in
combination with the
following Controllers:

- Control Systems**
- 8271 - 8272 (DC)
 - 6300 (AC)
 - 2000 (AC) 3 phase
 - 1024 (DC)

**North West Marine
Distributors Ltd**

26940 26th Avenue
Aldergrove, BC V4W 4A4,
Canada

Phone: (604) 607-7901
Email: info@northwestmarine.ca